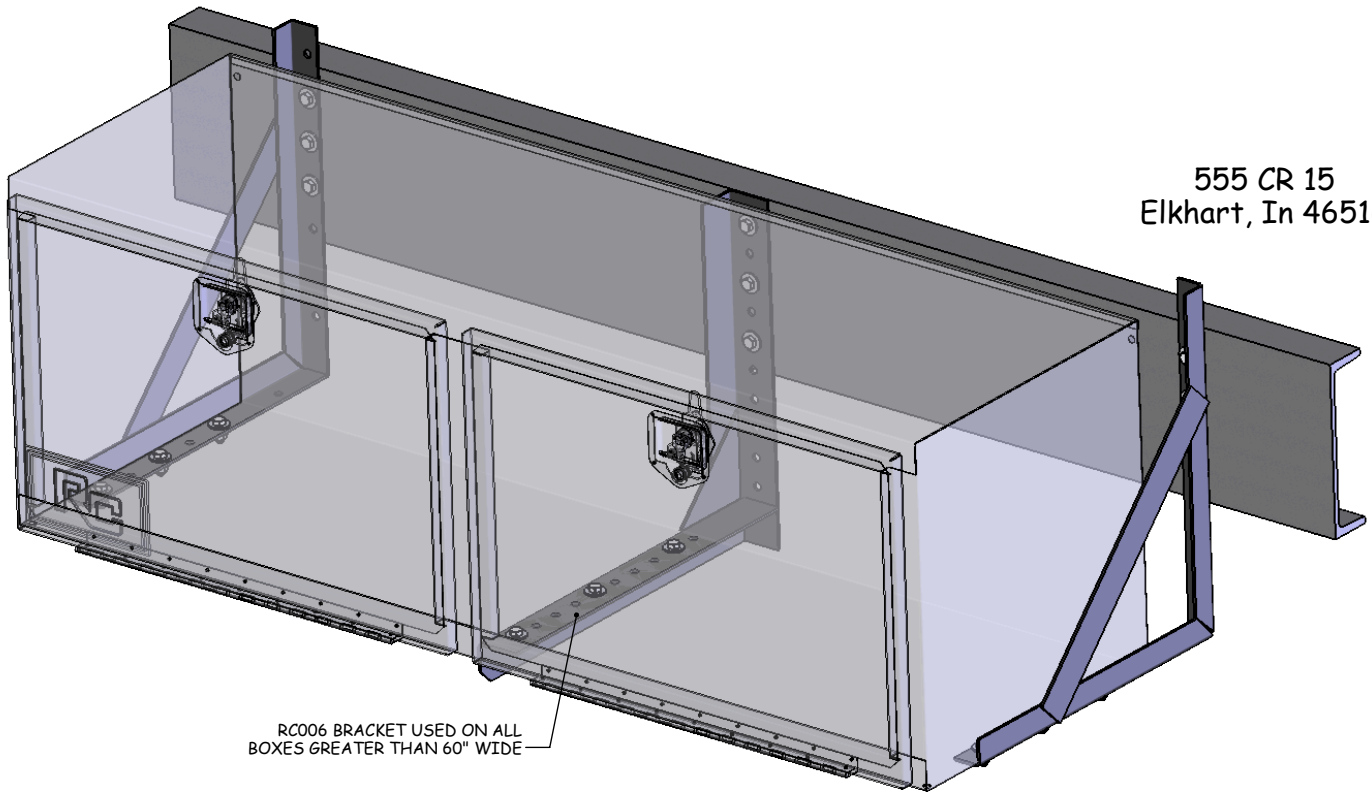
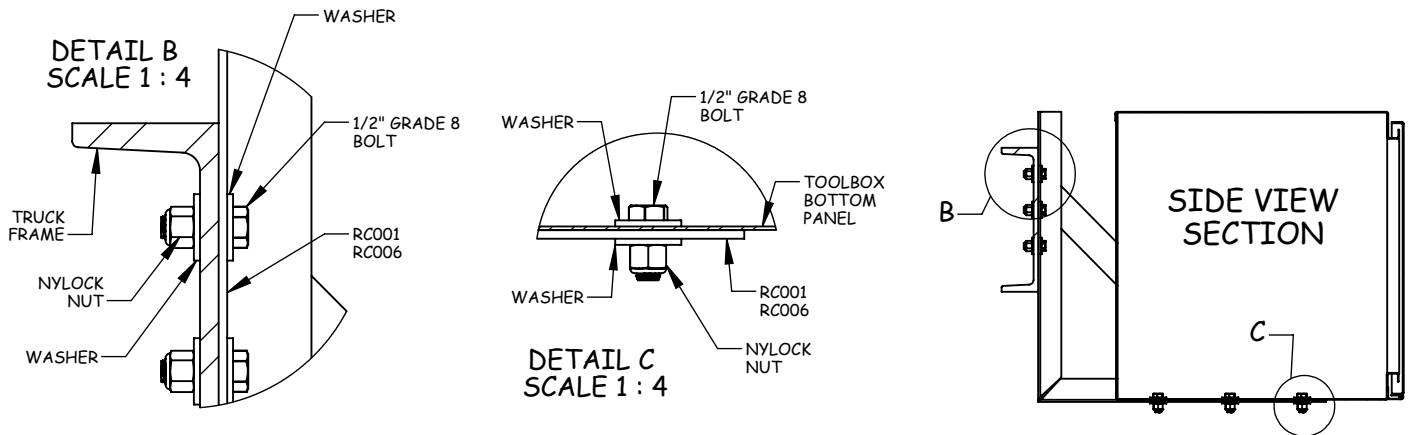


RC Industries Underbody Toolbox Mounting Instructions

555 CR 15
Elkhart, In 46516



RC006 BRACKET USED ON ALL BOXES GREATER THAN 60" WIDE



Use two RC001 mounting brackets for all boxes 60" wide or less.

For toolboxes wider than 60", then use one RC006 center bracket for every 24" of additional box width.

Properly seal around all mounting hardware and drilled holes with silicon or weather-resistant rubber sealing washers to prevent rusting.

Use 1/2" grade 8 bolts, three per mounting leg (as shown in diagram), for fastening toolbox and mounting angles. A minimum of six bolts per mounting bracket must be used.

use a minimum of 7/8" outside diameter washer both inside and outside the toolbox for every mounting bolt.

Torque bolts into place with a nylock nut to 110 foot-pounds.

****Failure to follow this instruction will void your warranty and cause damage, or failure to the toolbox.**